

# Agitator drive eco-Seal INOX<sup>V2</sup>

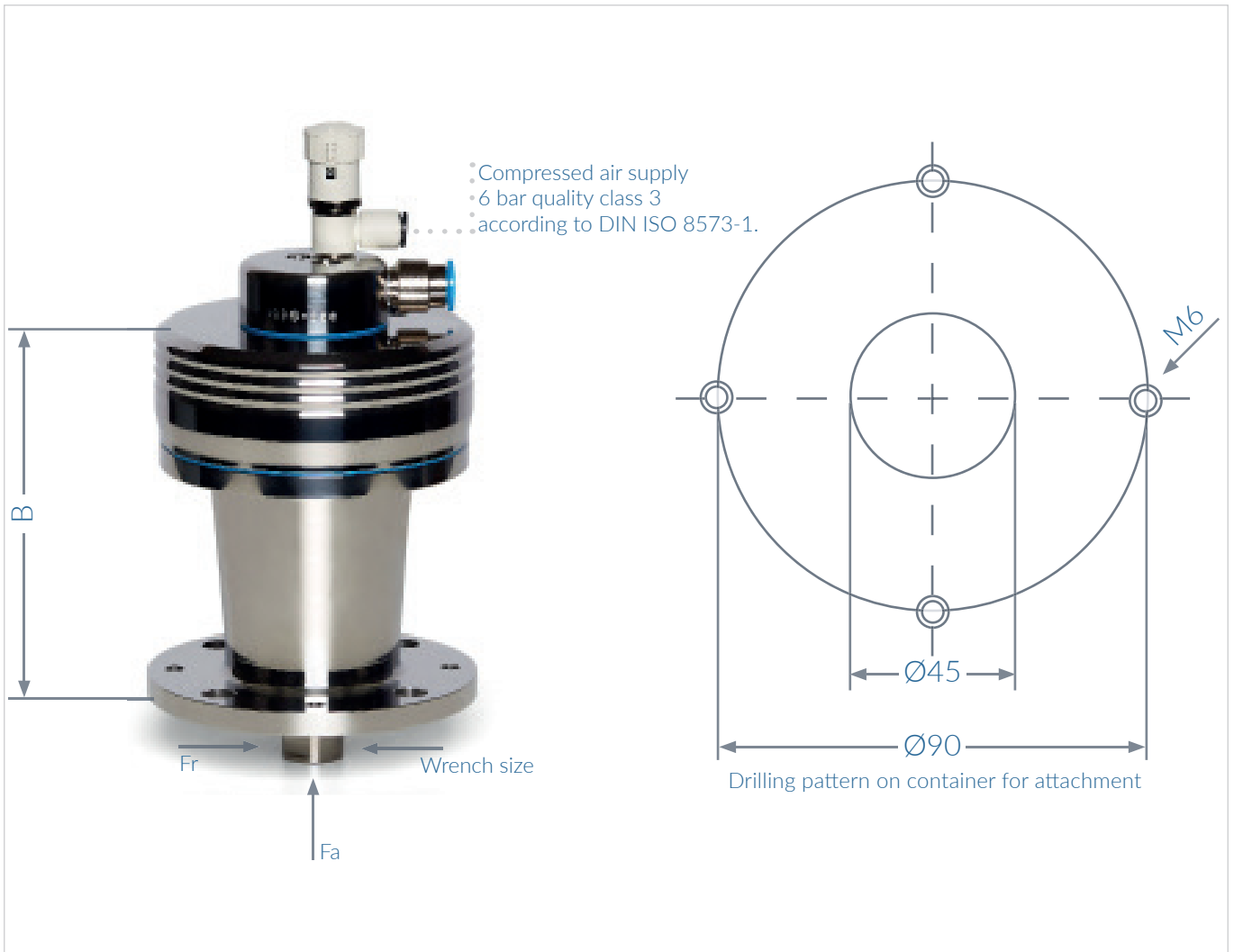


- Stainless-steel air connection
- Housing V4A stainless steel 1.4404 electropolished  
Labeling with laser engraving
- ATEX certification  
Ex II 1/2 G Ex h IIC T5 Ga/Gb and  
Ex II 1/2 D Ex h IIIC T100°C Da/Db
- Seal shaft made of PTFE without fillers  
food safe
- Protection class IP68
- Clean room class ISO1 according to DIN 14644
- Pharmaceutical and food conformity EU 10/2011
- Drive shaft V4A stainless steel 1.4404

Drive sizes	Art. No.	Medium air consumption	A	B	C	D	E	F	G
eco-Seal 450 <sup>V2</sup> INOX with threaded hub M12	5065	25 l/min	23	146.5	91.5	10	6	105	Ø25
eco-Seal 900 <sup>V2</sup> INOX with threaded hub M12	5066	50 l/min	23	161	91.5	10	6	105	Ø25
eco-Seal 1800 <sup>V2</sup> INOX with threaded hub M16	5067	100 l/min	24	169	93.5	12	8	169	Ø28
eco-Seal 3600 <sup>V2</sup> INOX with threaded hub M16	5068	200 l/min	24	191	93.5	12	8	169	Ø28
eco-Seal 450 INOX with eco-Quick <sup>V2</sup> (quick-change system for agitator shafts)	6018	25 l/min	51	146.5	91.5	10	6	105	Ø39
eco-Seal 900 INOX with eco-Quick <sup>V2</sup> (quick-change system for agitator shafts)	6019	50 l/min	51	161	91.5	10	6	105	Ø39
eco-Seal 1800 INOX with eco-Quick <sup>V2</sup> (quick-change system for agitator shafts)	6020	100 l/min	53	169	93.5	12	8	169	Ø44
eco-Seal 3600 INOX with eco-Quick <sup>V2</sup> (quick-change system for agitator shafts)	6021	200 l/min	53	191	93.5	12	8	169	Ø44

All dimension in mm.

WE GENERATE MOVEMENT IN SPECIAL ENVIRONMENTS.



Variants	B	Wrench size drive hub	Torque	Rotation speed	Radial load Fr	Axial load Fa
eco-Seal 450 INOX <sup>v2</sup>	146.5	SW21	4 Nm	0-300 rpm	400 N	100 N
with transmission 1:2	188.5	SW21	2 Nm	0-600 rpm	400 N	100 N
with transmission 3:1	188.5	SW21	12 Nm	0-100 rpm	400 N	100 N
with transmission 9:1	214.5	SW21	36 Nm	0-33 rpm	400 N	100 N
eco-Seal 900 INOX <sup>v2</sup>	161	SW21	8 Nm	0-300 rpm	400 N	100 N
with transmission 1:2	203	SW21	4 Nm	0-600 rpm	400 N	100 N
with transmission 3:1	203	SW21	24 Nm	0-100 rpm	400 N	100 N
with transmission 9:1	229	SW21	72 Nm	0-33 rpm	400 N	100 N
eco-Seal 1800 INOX <sup>v2</sup>	169	SW24	16 Nm	0-300 rpm	800 N	200 N
with transmission 1:2	219	SW24	8 Nm	0-600 rpm	800 N	200 N
with transmission 3:1	219	SW24	48 Nm	0-100 rpm	800 N	200 N
with transmission 9:1	250.5	SW24	144 Nm	0-33 rpm	800 N	200 N
eco-Seal 3600 INOX <sup>v2</sup>	191	SW24	32 Nm	0-300 rpm	800 N	200 N
with transmission 1:2	241	SW24	16 Nm	0-600 rpm	800 N	200 N
with transmission 3:1	241	SW24	96 Nm	0-100 rpm	800 N	200 N
with transmission 9:1	272.5	SW24	288 Nm	0-33 rpm	800 N	200 N

WE GENERATE MOVEMENT IN SPECIAL ENVIRONMENTS.