

Drive and stirring technology for

PHARMA | FOOD | COSMETICS | CHEMICALS | AUTOMATION



# Stainless steel motor



Radial piston motor

Housing made of high-quality rolled V4A stainless steel 1.4404

Pharmaceutical and food conformity

ATEX certification

Ex II 2 G Ex h IIC T5 Gb X

Ex II 2 D Ex h IIIC T100°C Db X

Clean room class ISO 1 according to DIN 14644

Protection class IP68

Rotation speed 0-300 1/min reversible

Oil and silicone-free

Various drive shafts (see table page 2)

Shaft seal made of PTFE without fillers food safe

Optional labeling with laser engraving

Noise level < 75 dB

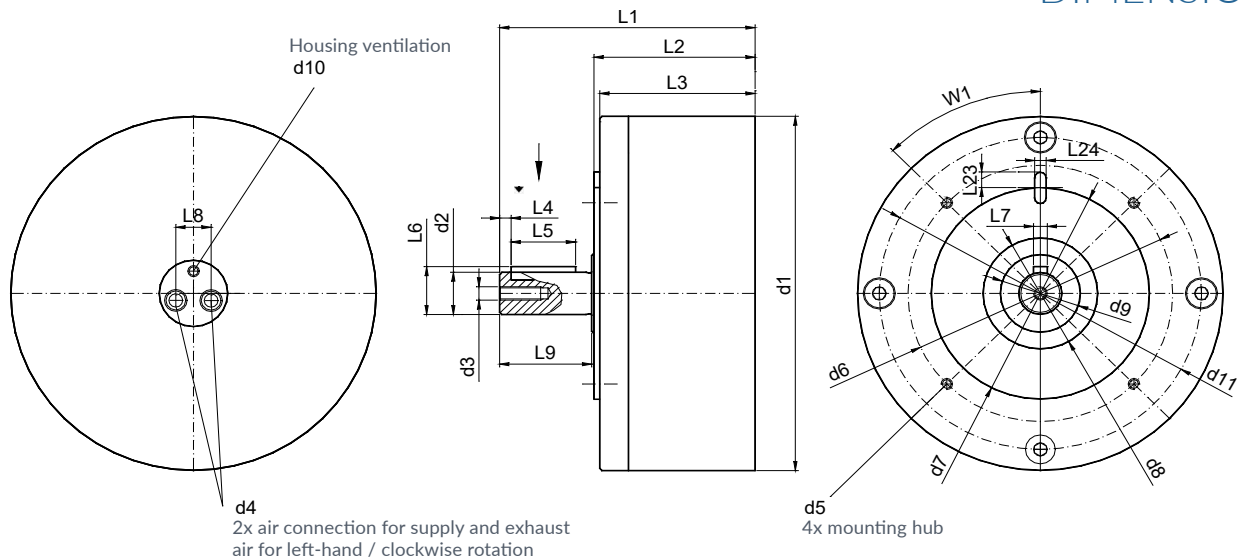
Compressed air supply 2-6 bar | 30-90 PSI

## MOTOR VARIANTS

Performance variants	Motor 0450 INOX	Motor 0900 INOX	Motor 1800 INOX	Motor 3600 INOX
Art. No.	1010	1011	1012	1013
Starting torque	35 lbf in   4 Nm	70 lbf in   8 Nm	140 lbf in   16 Nm	280 lbf in   32 Nm
Max. axial load	45 lbf   200 N	45 lbf   200 N	70 lbf   300 N	70 lbf   300 N
Radial dyn. C	170 lbf   750 N	170 lbf   750 N	225 lbf   1000 N	225 lbf   1000 N
Radial stat. Co	90 lbf   400 N	90 lbf   400 N	135 lbf   600 N	135 lbf   600 N
Max. perm. tilt moment	45 lbf in   5 Nm	45 lbf in   5 Nm	90 lbf in   10 Nm	90 lbf in   10 Nm
Weight	4.4 lbs   2 kg	9.9 lbs   4.5 kg	15 lbs   6.8 kg	20.4 lbs   9.5 kg
Max. power (at 150 rpm)	0.08 HP   60 W	0.16 HP   120 W	0.22 HP   170 W	0.30 HP   230 W

WE GENERATE MOVEMENT IN SPECIAL ENVIRONMENTS.

# DIMENSIONS



	Motor 0450 INOX	Motor 0900 INOX	Motor 1800 INOX	Motor 3600 INOX
L1	3.07in   78mm	3.64in   92.5mm	4.37in   111mm	5.24in   133
L2	2.05in   52mm	2.62in   66.5mm	2.76in   70mm	3.62in   92
L3	1.99in   50.5mm	2.56in   65mm	2.66in   67.5mm	3.52in   89.5
L4	0.12in   3mm	0.12in   3mm	0.20in   5mm	0.20in   5mm
L5	0.71in   18mm	0.71in   18mm	1.10in   28mm	1.10in   28mm
L6	0.63in   16mm	0.63in   16mm	0.85in   21,5mm	0.85in   21,5mm
L7	0.20in   5mm N9	0.20in   5mm N9	0.24in   6 N9mm	0.24in   6 N9mm
L8	0.42in   10.6mm	0.42in   10.6mm	0.60in   15.3mm	0.60in   15.3mm
L9	0.98in   25mm	0.98in   25mm	1.57in   40mm	1.57in   40mm
L23	0.24in   6mm	0.24in   6mm	0.28in   7mm	0.28in   7mm
L24	0.16in   4mm N9	0.16in   4mm N9	0.2in   5mm N9	0.2in   5mm N9
d1 ø	3.90in   99mm	3.90in   99mm	6.26in   159mm	6.26in   159mm
d2 ø	0.55in   14mm h6	0.55in   14mm h6	0.75in   19mm h6	0.75in   19mm h6
d3 ø	M4x12mm	M4x12mm	M6x18mm	M6x18mm
d4 ø	M6x0.75x8mm	M6x0.75x8mm	R1/8x9mm	R1/8x9mm
d5 ø	M4x9mm	M4x9mm	M6x10mm	M6x10mm
d6 ø	2.64in   67mm	2.64in   67mm	4.53in   115mm	4.53in   115mm
d7 ø	2.17in   55mm h6	2.17in   55mm h6	3.74in   95mm h6	3.74in   95mm h6
d8 ø	1.57in   40mm	1.57in   40mm	1.97in   50mm	1.97in   50mm
d9 ø	28in   28mm	28in   28mm	1.38in   35mm	1.38in   35mm
d10 ø	M5x5mm	M5x5mm	M5x5mm	M5x5
d11 ø	3.43in   87mm	3.43in   87mm	5.51in   140mm	5.51in   140mm
W1	45°	45°	45°	45°

# DRIVE SHAFTS

Drive shafts for motor 450/900	Art. No.
Shaft Ø 0.55in   14mm smooth (with thread M4)	1208
Shaft Ø 0.75in   19mm smooth (with thread M4)	1313
Shaft Ø 0.94in   24mm smooth (with thread M4)	1314
Shaft Ø 0.55in   14mm with tongue and groove	1315
Shaft Ø 0.75in   19mm with tongue and groove	1316
Shaft Ø 0.94in   24mm with tongue and groove	1317
Threaded hub M12	1327
Special shaft max. Ø 1.18in   30mm (with bearing flange max. Ø 1.10in   28mm)	1318

Drive shafts for motor 1800/3600/7200	Art. No.
Shaft Ø 0.75in   19mm smooth (with thread M6)	1211
Shaft Ø 0.94in   24mm smooth (with thread M6)	1319
Shaft Ø 1.26   32mm smooth (with thread M6)	1323
Shaft Ø 0.75in   19mm with tongue and groove	1321
Shaft Ø 0.94in   24mm with tongue and groove	1322
Shaft Ø 1.26   32mm with tongue and groove	1323
Threaded hub M16	1328
Special shaft max. Ø 1.38   35mm (with bearing flange max. Ø 1.18in   30mm)	1324

WE GENERATE MOVEMENT IN SPECIAL ENVIRONMENTS.